

BFBF2815SSIM



28" Bottom Freezer Refrigerator with Ice Maker



Meets CEE Specifications

GENERAL PROPERTIES

Cooling System	NeoFrost Dual Cooling Technology
Control System	Electronic Control Display
Finish	Fingerprint-free Stainless Steel
Field Reversible Doors	Yes
Type	Freestanding

CAPACITY

Total Net Volume	13.80 cu. ft.
Fresh Food Net Volume	9.96 cu. ft.
Freezer Net Volume	3.81 cu. ft.

PERFORMANCE

Fresh Food Temperature Range*	33° F to 46° F
Freezer Temperature Range*	0° F to -12° F
Freeze Guard	Works in Temperatures between 32° F and 110° F
Modes	On/Off Power, On/Off Icemaker, Temperature Control, Quick Cool, Vacation, Sabbath
ENERGY STAR® Certified	Yes
Annual Energy Consumption	420 kwh/year

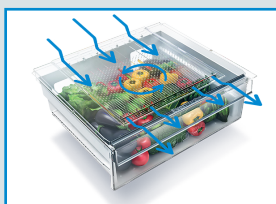
*Actual temperatures may vary upon different options.

PREMIUM TECHNOLOGY



HARVESTFRESH™

Proprietary 3-color light technology simulates the 24-hour cycle of the sun. By mimicking a full day of sunshine, produce has been proven to retain its vitamins and minerals for up to five days longer than ordinary refrigerators.



EVERFRESH+™

EverFresh+ technology keeps fresh food fresher three times longer than the average refrigerator – for up to 30 days! Meticulous temperature management and precise humidity control mean every stalk, head, or bunch you bought as a healthy option or key ingredient stays fresher longer.



NEOFROST DUAL COOLING TECHNOLOGY™

NeoFrost™ Dual Cooling's separate cooling systems for each compartment maintain ideal air flow and optimal temperatures with a high level of humidity in both the freezer and the fridge.

BFBF2815SSIM



28" Bottom Freezer Refrigerator with Ice Maker

FRESH FOOD	
EverFresh+™	Yes
HARVESTfresh™	Yes
Electronic Control System	Yes
Sabbath Mode	Yes
Auto Defrost	Yes
LED Inner Illumination	LED- Side Walls
Shelves	3 - Safety Glass
Crisper	1
Egg Tray	2
Door Racks	3
Gallon-sized Inner Door Bin	1
Compressor	Variable Speed VCC
Door Open Alarm	Yes

FREEZER	
Auto Defrost	Yes
Freezer Drawers	3 - Removable
Shelves	2- Safety Glass
Auto Ice Maker	Makes up to 2.2 lbs./day

TECHNICAL INFORMATION	
Required Power Supply	120 V / 60 Hz
Rated Current	2.0 A
Noise Level	40 dBA
Refrigerant	R600a
Plug Type	NEMA 3-Prong
Power Cord Length	6 ft.

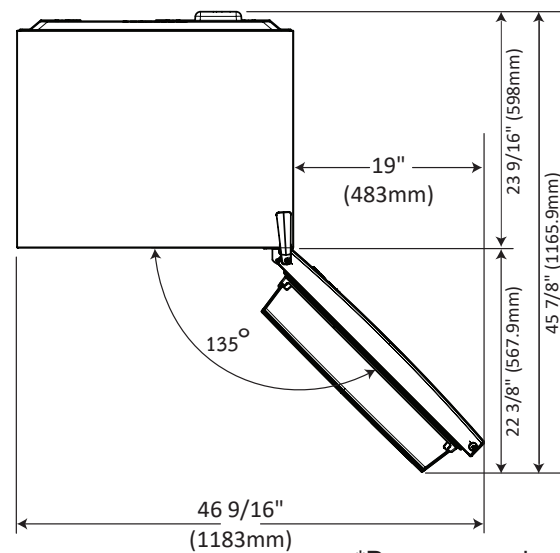
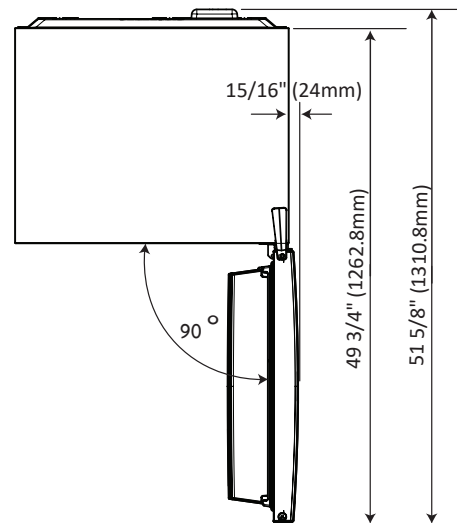
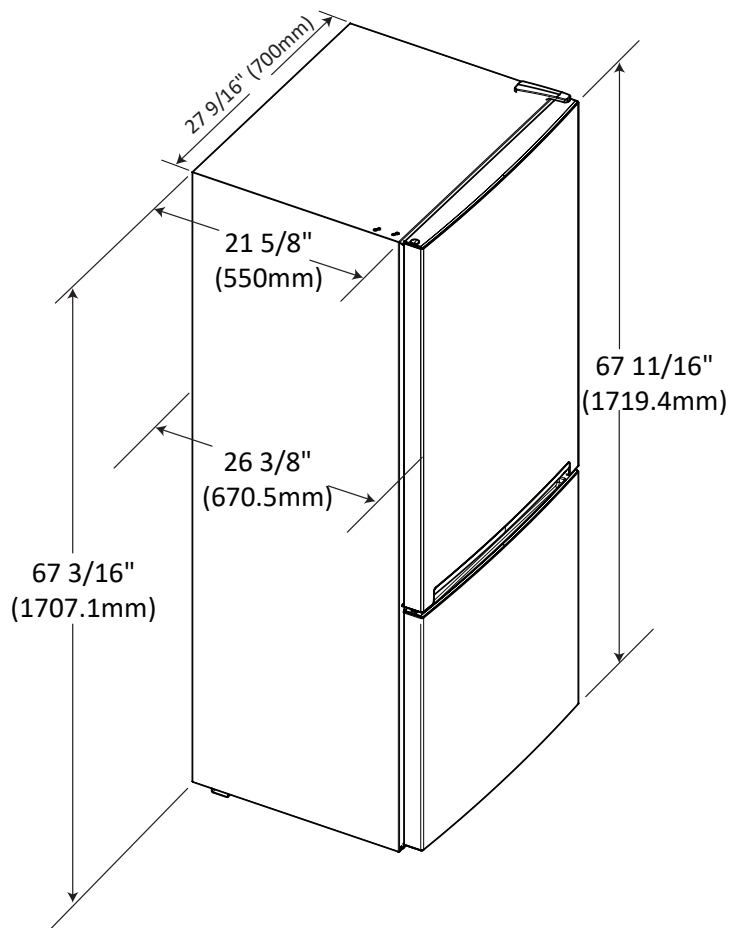
DIMENSIONS	
H x W x D (in)	67 ³ / ₄ x 27 ⁹ / ₁₆ x 26 ³ / ₈
H x W x D (mm)	1719.4 x 700 x 670.5
Height with Hinge Cap (in)	67 ³ / ₄
Width (in)	27 ⁹ / ₁₆
Depth (in)	26 ³ / ₈
Depth without Door (in)	21 ⁵ / ₈
Product Weight (lbs)	158
Product Weight (kg)	72
Packed Weight (lbs)	174
Packed Weight (kg)	79

WARRANTY	
All Products	2 -year Full Warranty
Sealed System Parts Only	5-year Warranty
ProSmart Inverter Motor	10-year Warranty – parts only

BFBF2815SSIM

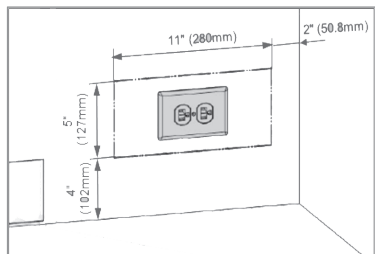


28" Bottom Freezer Refrigerator with Ice Maker

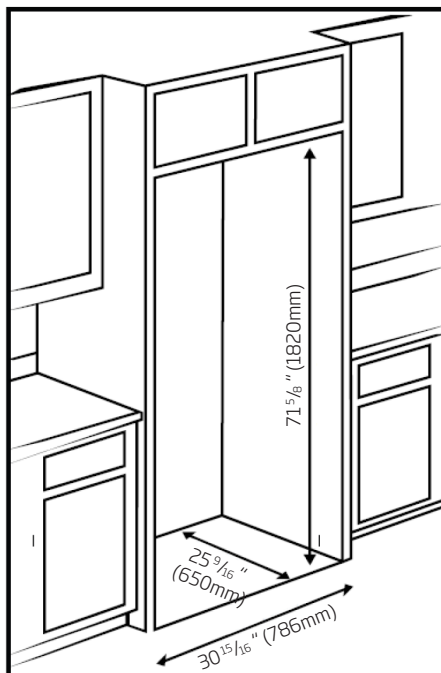
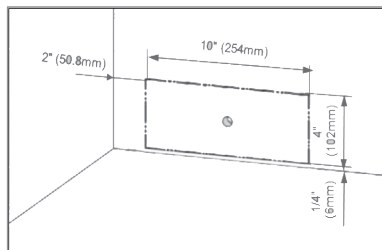


*Drawers can be pulled out with door open 90°

Electrical



Plumbing



Required Minimum Clearances:

- Top: 2"
- Sides: 9/16" on each side
- Back: 1 3/8"

NOTE TO THE INSTALLER: All height, width, and depth dimensions are shown in inches (as well as metric). Beko U.S., Inc. reserves the absolute and unrestricted right to change product materials and specifications, at any time, without notice. Please visit our website, www.BekoAppliances.com, or call 888.352.2356 to verify the latest specifications with final dimensional data and other details prior to installation and making a cutout. Applicable product limited warranty information may be found in accompanying product materials, or you may contact your account manager for further details. Proper installation is the responsibility of the installer. Product failure due to improper installation is not covered under the Limited Warranty.