

# DDT25401X



Top Control, Stainless Steel, Pro Handle Dishwasher, 5 programs, 48 dBA



## GENERAL PROPERTIES

Style	Built-In Top Control
Finish	Stainless Steel
Tub Type	Tall Tub
Tub and Door Liner	Stainless Steel
Control Type	Push Buttons
Toe kick	Black Plastic
Leveling System	4 leveling legs

## EFFICIENCY

Energy Efficiency Class	Tier 1
ENERGY STAR® qualified	Most Efficient
Total annual energy consumption (kWh)	234 kWh/year
Total annual water consumption (g)	2.59 - 5.86 g/cycle



CEE Tier 1

## PREMIUM TECHNOLOGY



### MOST EFFICIENT

Beko dishwashers are ENERGY STAR® Most Efficient. They save water and energy while exceeding the stringent cleanability Index required to receive this designation.



### SANITIZE FUNCTION

The Sanitize function reaches higher temperatures, provides complete peace of mind, especially for cleaning baby bottles and feeding accessories.



### FULL STAINLESS STEEL TUB

Our stainless steel interior not only resists hard water stains, spots, and corrosion, it's more durable, offers more noise cancellation, and supports higher temperatures than the plastic interiors found in other dishwashers.

# DDT25401X



Top Control, Stainless Steel, Pro Handle Dishwasher, 5 programs, 48 dBA

FEATURES	
Number of Wash Cycles	5
SilentTech	48 dBA
Drying System	Static
DMSF Overflow Protection	Yes
Turbidity Sensor	Yes
Delay Timer	Yes
Flood Protection	Yes
Overflow Safety	Yes
Watertap Indicator	Yes
LED Spot (Light Indicator on Floor)	Yes
Rinse Aid Indicator	Yes
Interior High Loop with Air Gap	Yes
All-In-1 Tablet	Yes
ProSmart Inverter Motor	Yes
NSF®-certified - Sanitize option	Yes

CAPACITY	
Number of Place Settings	14

RACK SYSTEM	
Height-adjustable Upper Rack	Yes - 3 positions, when loaded
Lower Rack	Folding Tines -2
Cutlery Basket	Standard, Full-Size
Upper Rack	Mug Shelves - 2
Nylon Coated Racks	Yes

TECHNICAL INFORMATION	
Watts (W)	1,400 W
Current (A)	12 A
Volts (A)	120 V
Frequency (Hz)	60 Hz
Power cord full length	Yes
Power cord install length from edge of unit when facing the door	4 ft.
Minimum water pressure (psi)	4.35 - 145
Length outlet hose (in)	6 ft.

DIMENSIONS & WEIGHT	
H x W x D (in)	33 <sup>7</sup> / <sub>8</sub> x 23 <sup>9</sup> / <sub>16</sub> x 22 <sup>7</sup> / <sub>16</sub>
H x W x D (mm)	861 x 598.5 x 570
Required Cutout Dimensions (H x W x D)	34 x 24 x 24
Overall Height (in)	33 <sup>7</sup> / <sub>8</sub>
Overall Width (in)	23 <sup>9</sup> / <sub>16</sub>
Overall Depth (in)	22 <sup>7</sup> / <sub>16</sub>
Net Weight (lbs)	82.67

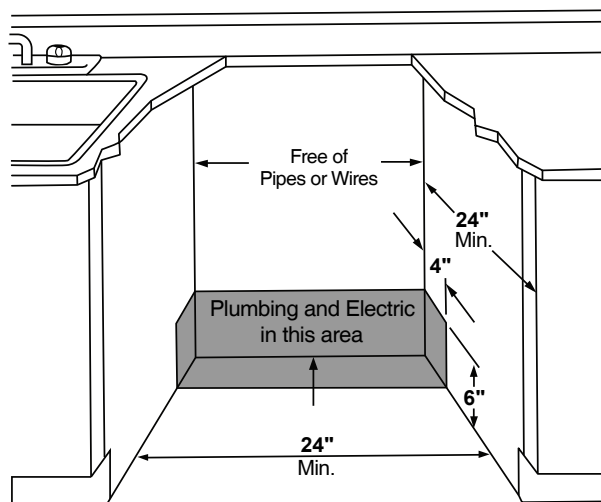
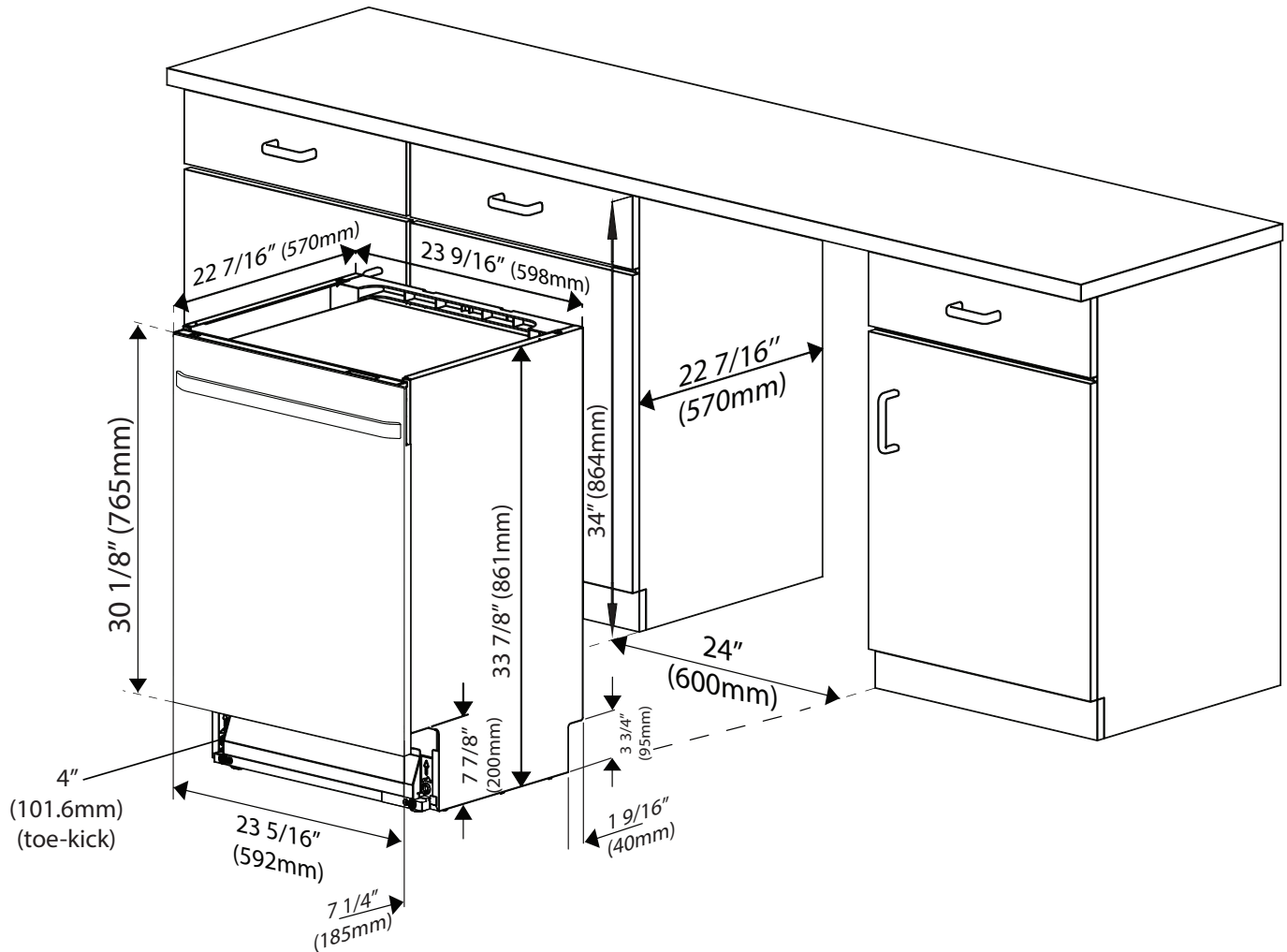
ACCESSORIES	
Stemware Rack	1752850100
Accessories Pack	1784430063
Toe Kick	1765810101

WARRANTY	
All Products	2-year Full Warranty
ProSmart Inverter Motor	10-year Warranty – parts only

# DDT25401X



Top Control, Stainless Steel, Pro Handle Dishwasher, 5 programs, 48 dBA



NOTE TO THE INSTALLER: All height, width, and depth dimensions are shown in inches (as well as metric). Beko U.S., Inc. reserves the absolute and unrestricted right to change product materials and specifications, at any time, without notice. Please visit our website, [www.BekoAppliances.com](http://www.BekoAppliances.com), or call 888.352.2356 to verify the latest specifications with final dimensional data and other details prior to installation and making a cutout. Applicable product limited warranty information may be found in accompanying product materials, or you may contact your account manager for further details. Proper installation is the responsibility of the installer. Product failure due to improper installation is not covered under the Limited Warranty.