



Laundry Tower™ Single Unit Front Load 4.4 Cu. Ft. Washer & 8 Cu. Ft. Gas Dryer

Laundry Tower

Available Products: ELTG7300AW

Available Colors: White

Version: 09/23

## Product Specifications

<b>Washer</b>		<b>Washer Cycles</b>	
Drum Material	Stainless Steel	Cycle Count	7
Maximum Spin Speed	1100 RPM	Clean Washer	Yes
Water Level Adjustment	Yes	Delicates	Yes
<b>Washer Options</b>		Fast Wash	Yes
Delay Start Time	1-12 Hours	Heavy Duty	Yes
Extended Refresh	Yes	Normal	Yes
Extra Rinse	Yes	Rinse and Spin	Yes
Stain Treat	Yes	Towels	Yes
<b>Dryer</b>		<b>Washer Spin Speeds</b>	
Balanced Dry	Yes	Spin Speed Selections	4
Drum Back Type	Painted Steel	Max	Yes
Drum Material	Painted Steel	Medium	Yes
Dryness Level Selections	Yes	Low	Yes
Heating Element	20000 BTU	No Spin	Yes
Lint Filter	Yes	<b>Temperature Settings</b>	
Moisture Sensor	Yes	Eco Cold	Yes
<b>Dryer Options</b>		Cool	Yes
Delay Start Time	1-12 Hours	Warm	Yes
Dry Boost	Yes	Hot	Yes
Extended Tumble	Yes	<b>Dispenser</b>	
Wrinkle Release	Yes	Bleach Dispenser	Yes
<b>Dryness Level</b>		Detergent Dispenser	Yes
High	Yes	Fabric Softener Dispenser	Yes
Normal	Yes	Prewash Detergent Dispenser	Yes
Low	Yes	<b>Dryer Cycles</b>	
Damp	Yes	Cycle Count	7
<b>Exterior</b>		Allergen	Yes
Door Latch	Yes	Delicates	Yes
Reversible Door	Yes	Fast Dry	Yes
<b>Energy Data</b>		Heavy Duty	Yes
Energy Efficiency	Tier 1	Normal	Yes
kWh/year	50 kWh	Timed Dry Time	Yes
Water Usage/Year	4154 Gallons	Towels	Yes
		<b>Drying Temperatures</b>	
		Low	Yes
		Normal	Yes
		High	Yes
		Eco Dry	Yes

We reserve the right to change specifications or discontinue models without notice.

Electrolux Major Appliances, N.A.

USA • 10200 David Taylor Drive • Charlotte, NC 28262 • Charlotte, NC 28262 • 1-877-4electrolux (1-877-435-3287) • [electrolux.com/en](http://electrolux.com/en)

CANADA • 5855 Terry Fox Way • Mississauga, ON L5V 3E4 • 1-800-265-8352 • [electrolux.ca](http://electrolux.ca)

Laundry Tower™ Single Unit Front Load 4.4 Cu. Ft. Washer  
& 8 Cu. Ft. Gas Dryer

Laundry Tower

Available Products: ELTG7300AW

Available Colors: White

Version: 09/23

**General Specifications**

Chime On / Chime Off	Yes
Leveling Legs	Yes
Prop 65 Label	Yes
Warranty - Labor	1 Year
Warranty - Parts	1 Year
Warranty - Motor	10 Years
Warranty - Tub	Lifetime

**Performance Certifications and Approvals**

ENERGY STAR Certified	Yes
High Efficiency	Yes

**Controls**

Cancel	Yes
Child Lock	Yes
Cycle Status Lights	Yes
Delay Start	Yes
Estimated Time Remaining	Yes
Control Lock	Yes
How to Cancel	Key Combination
Pause Function	Yes
Power On/Off	Yes
Start	Yes

**Dimensions and Volume**

Height	76 1/4"
Width	27"
Minimum Depth for Installation	36"
Washer Drum Capacity	4.4 Cu. Ft.
Dryer Drum Capacity	8 Cu. Ft.

**Installation**

Dryer Power Cord Included	Yes
Washer Power Cord Included	Yes

**Certifications and Approvals**

ADA Compliant	No
---------------	----

We reserve the right to change specifications or discontinue models without notice.

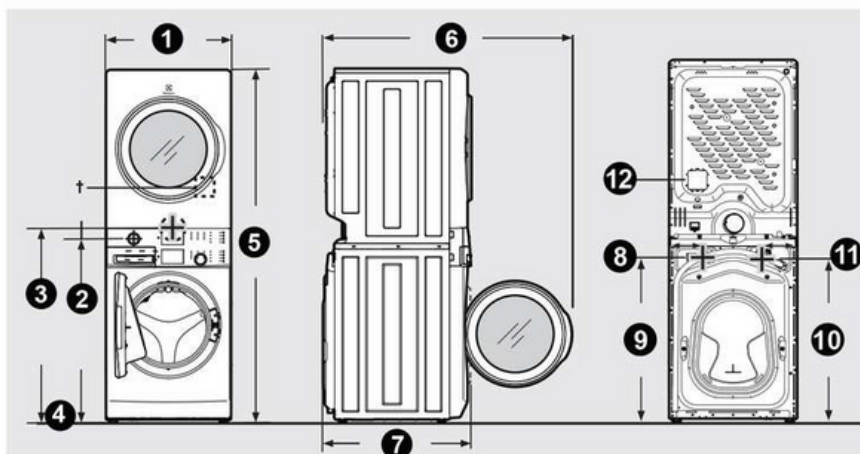
Electrolux Major Appliances, N.A.

USA • 10200 David Taylor Drive • Charlotte, NC 28262 • Charlotte, NC 28262 • 1-877-4electrolux (1-877-435-3287) • [electrolux.com/en](http://electrolux.com/en)

CANADA • 5855 Terry Fox Way • Mississauga, ON L5V 3E4 • 1-800-265-8352 • [electrolux.ca](http://electrolux.ca)

## Installation Diagram

### Laundry Center Dimensions



<sup>1</sup> Dryer electrical supply on rear of unit.

#### NOTE

- Allow minimum 36" of depth space for proper installation with 90° quick turn elbow for venting.
- Connection of water inlet hose on steam laundry center adds 3/4 in. (2 cm) to installation depth.
- Power supply cord length on washer approximately 60 inches (152.5 cm).
- Drain hose length on washer approximately 59 inches (150 cm).
- Power supply cord length on gas laundry center or electric Canadian laundry center approximately 60 inches (152.5 cm).

Laundry Center Dimensions	
1. Unit width	27" (69 cm)
2. Height to gas supply pipe on rear of gas unit	39.7" (101 cm)
3. Centerline height for rear vent	41.8" (106 cm)
4. Floor line	--
5. Unit height	76.3" (194 cm)
6. Door clearance	53.9" (137 cm)
7. Unit depth	31.9" (81 cm)
8. Width distance to water connections	7.8" (20 cm)
9. Height to water connections	35.7" (91 cm)
10. Height to washer power connections	35.5" (91 cm)
11. Width distance to washer power connections	7.1" (18 cm)
12. Height to dryer electrical supply	48" (122 cm)