

Fresh Living Tip

Help kids make better snack choices by keeping juice boxes and portioned fruit, vegetables, yogurt and other healthy foods within easy reach in Marvel Professional Undercounter Drawers.

FINISH OPTIONS



24" Marvel Professional Refrigerated Drawers

MPDR424

Storage Adaptability

- 5.0 cu. ft. capacity stores up to (108) 12-oz cans in two large-capacity smooth-glide drawers
- Adjustable divider included in both drawers to keep contents from sliding or falling over when drawer opens

Cooling Performance

- Dynamic cooling technology delivers rapid cool down, frost-free operation and precise temperature stability
- Thermal-efficient cabinet ensures optimum food preservation and energy efficiency while maximizing capacity

Convenient Controls

- Multifunction controls allow you to select a precise cabinet temperature from 33°F to 70° F
- Audible alarms for door ajar and high/low temperature ensure your contents stay at optimal temperature
- At the touch of a button, change the interior light color to sapphire blue or arctic white
- Theater-style display lighting gently brightens as door is opened and dims to off when closed

Fit & Finish

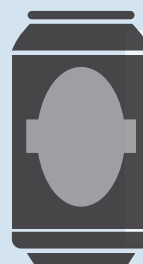
- Interior durably constructed from stainless steel, the most hygienic, easy-to-clean and stain-resistant of materials
- Professional styling: robust full-length handle and stainless steel accents
- Door lock provides added security

Warranty

- 3-year parts and labor warranty with product registration and 5-year sealed system parts warranty



This workhorse offers maximum storage capacity within easy reach. Store as many as 108 cans and organize contents with convenient quick-grip dividers. Durably constructed of stainless steel with professional-style accents or available in a panel-ready option for a truly integrated installation.



Stores up to
108
12-ounce cans

DOOR STYLE

Solid Panel Ready

Solid Stainless Steel

MODEL NUMBER

MPDR424-IS71A

MPDR424-SS71A



Thermal-efficient finished cabinet design

Precise temp control with alerts

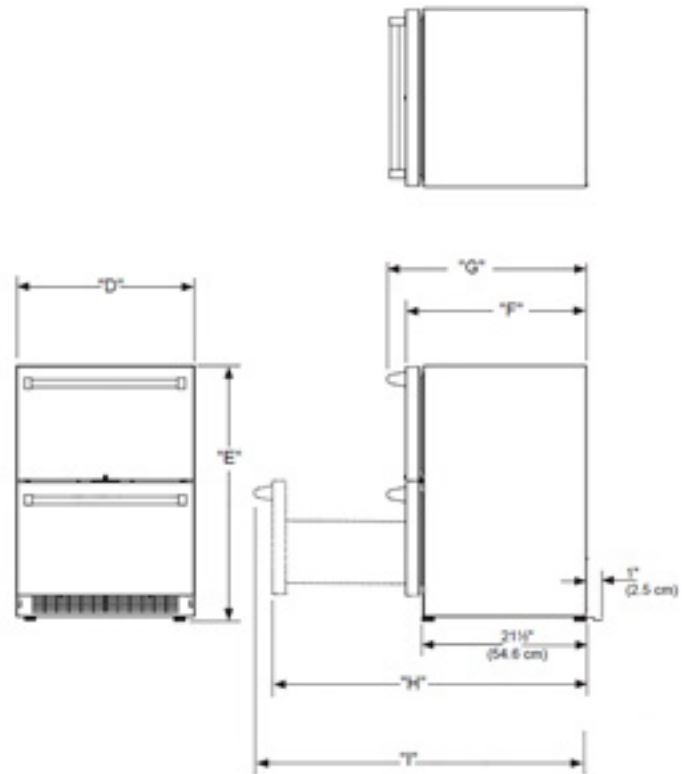
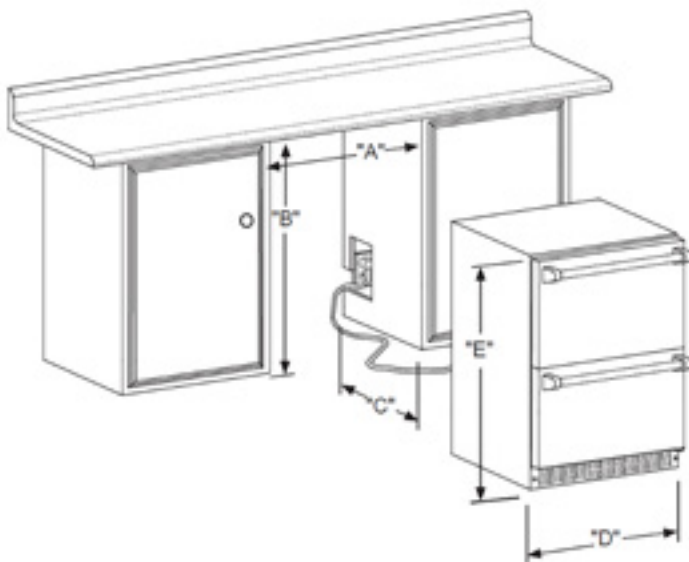
Theater-style dual color display lighting

Smooth-glide system

Fits up to 108 cans

Adjustable quick-grip divider in each drawer

H: 33 3/4" W: 23 7/8" D: 26 7/32" (with handle)



Rough In Dimensions*

"A"	"B"	"C"
24"	34-1/4" to 35-1/4"	24"
(61 CM)	(87 CM to 89.5 CM)	(61 CM)

Cabinet Dimensions*

"D"	"E"	"F"	"G"	"H"	"J"
23-7/8"	33-5/8" TO 34-5/8"	23-5/8"*	26-1/8"*	47-3/4"*	26-1/2"*
(60.7 CM)	(85.4 CM TO 87.9 CM)	(60 CM)	(66.3 CM)	(146.6 CM)	(67.3 CM)

*Stainless steel model dimensions only. For panel-ready models, see the owner's guide online at marvelrefrigeration.com.

Capacity 5 CU. FT.

Control Type Electronic

Sabbath Mode Yes

Temperature Range 33°F to 70°F

Handle Style Professional (handle not included on panel-ready models)

Hinge Type Soft-Close

Interior Lighting White + Blue LED

Shelving System Cantilever

Toe Grille Finish Stainless Steel (Black on Panel-Ready Models)

Lock Yes

Electrical Requirements 115V / 60 Hz / 15A

Cord Length 6 FT.

Shipping Dimensions 28" W x 31" D x 37" H

Shipping Weight 180 LBS

Agency Approval UL

Refrigerant Type R600a

For comprehensive installation instructions, including panel overlay details, please visit marvelrefrigeration.com to access the owner's guide.

