

Oven, 24", 11 Function, Self-cleaning

Series 7 | minimal

Black Glass

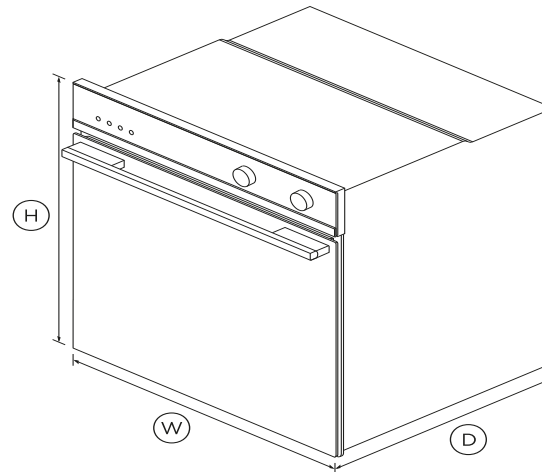


With a subtle black glass finish, this minimal-style oven has multiple functions to ensure every dish is cooked to perfection.

- Three cubic feet total capacity with eleven oven functions including Aero™ Pastry, Roast and Rapid Proof
- Self-cleaning function breaks down food residue for an easy clean
- Moisture control and even heat distribution thanks to ActiveVent™ and AeroTech technology
- Non-tip, full-extension sliding shelves for safe removal of hot dishes

DIMENSIONS

Height	23 ⁹ / ₁₆ "
Width	23 ¹ / ₂ "
Depth	22 ¹ / ₄ "



FEATURES & BENEFITS

Generous capacity

With a generous sized internal cavity, you can create several dishes at once using multiple shelves.

Perfect Results

Our built-in ovens feature ActiveVent technology for optimized moisture levels, and AeroTech™ for even heat distribution. Get perfect results even when you're using multiple shelves.

Multi-function flexibility

11 functions including Aero™ Pastry, Roast and Rapid Proof mean no matter what you're cooking, you've got the right heat to match.

Seamless fit

Designed to fit seamlessly in your kitchen, this built-in oven fits flush with cabinetry to minimize gaps and add to a cohesive aesthetic.

Cleaning is simple

The self-clean function breaks down food residue at a very high temperature, leaving a light ash that's easily removed with a damp cloth.

The Beauty of Choice

With the choice of stylish stainless steel or elegant black, you can choose the finish that complements your kitchen design best.

Safe and sound

The CoolTouch door features triple glazing and a cooling system that ensures it's safe to touch from the outside – protecting both your hands and the surrounding cabinetry.

SPECIFICATIONS

Accessories

3-piece anti-splatter grill	•
Food probe	•
Full Extension Telescopic	1 set
Meat probe	•
Optional round handle	Part 81645
Pyrolytic proof shelf runners	1 set
Pyrolytic proof shelf runners	•
Step down wire shelf	•

Capacity

Shelf positions	6
Total	3 cu ft
Usable capacity	2.5 cu ft

Cleaning

Acid resistant graphite enamel	•
Pyrolytic proof shelf runners	•
Removable oven door	•
Removable oven door inner	•
Removable shelf runners	•
Self-clean	•

Controls

Audio feedback	•
Automatic cooking/minute	•
Automatic pre-set	•
Automatic rapid pre-heat	•
Behind glass capacitive touch	•
Celsius/Fahrenheit	•
Electronic capacitive touch	•
Electronic clock	•
Electronic oven control	•
Interior light	2 x 25W (halogen)
Precise electronic temperature	•
Sabbath mode	•
Turned stainless dials with	•

Functions

Aero Broil	•
AeroTech™ technology	•

Aero™ Bake	•
Bake	•
Broil	•
Maxi Broil	•
Number of functions	11
Rapid proof	•
Roast	•
Self-clean function	•
Vent bake	•
Warm	•

Performance

ActiveVent™ system	•
AeroTech™ technology	•
Automatic rapid pre-heat	•
Broil power	3200W
CoolTouch door	Triple glazed
Soft open and close door	•
Whisper quiet cooking	•

Power requirements

Amperage	19A
Supply frequency	60Hz
Supply voltage	208 - 240V

Product dimensions

Depth	22 1/4 "
Height	23 9/16 "
Width	23 1/2 "

Safety

Advanced cooling system	•
Balanced oven door	•
Catalytic venting system	•
Control panel key lock	•
Full extension telescopic	•
Non-tip shelves	•

Warranty

Parts and labor	2 years
-----------------	----------------

SKU	81759
-----	-------

The product dimensions and specifications in this page apply to the specific product and model. Under our policy of continuous improvement, these dimensions and specifications may change at any time. You should therefore check with Fisher & Paykel's Customer Care Centre to ensure this page correctly describes the model currently available. © Fisher & Paykel Appliances Ltd 2019.

Other product downloads available at fisherpaykel.com



User Guide



Service & Warranty Booklet



Installation Guide



Resources (zip)



A PEACE OF MIND SALE

24 Hours 7 Days a Week Customer Support

T 1300 650 590 W www.fisherpaykel.com