

RF23A9771SR

SAMSUNG

22.5 cu. ft. Smart Counter Depth 4-Door Flex™ Refrigerator featuring Family Hub™ with Beverage Center and Dual Ice Maker



6 Simple Truths

What's for dinner?

Food recognition lets you know what's inside your fridge, quickly plan weekly meals, search for recipes, shop for missing ingredients and preheat your oven, all from the Family Hub™.

I love entertaining friends and family.

Stream your favorite music apps on the Family Hub™ through a premium speaker.

I don't want to miss my favorite show.

Mirror shows, movies, or live sports from your Samsung TV or smartphone on the Family Hub™.

I love getting more done.

Get a notification on the Family Hub™ when the laundry is done.

I want to manage my life with ease.

See who's at the front door, monitor multiple rooms and adjust the thermostat, all from the Family Hub™.

It's the little moments that matter.

Upload pictures or videos remotely, leave handwritten notes and set calendar reminders, all on your Family Hub™.

Available Colors



Fingerprint Resistant
Stainless Steel (shown)



Fingerprint Resistant
Black Stainless Steel



Beverage Center



Dual Ice Maker with Ice Bites

Design

- Beverage Center
- Modern Design
- Built-in Look

Technology

- Family Hub™
- Dual Ice Maker with Ice Bites and Cubed Ice
- UV Deodorizing Filter

Performance

- FlexZone™
- Flex Crisper
- Triple Cooling

Rating



ENERGY STAR® rated:
631 kWh/yr



ADA Compliant

RF23A9771SR

SAMSUNG

22.5 cu. ft. Smart Counter Depth 4-Door Flex™ Refrigerator featuring Family Hub™ with Beverage Center and Dual Ice Maker

Installation Specifications

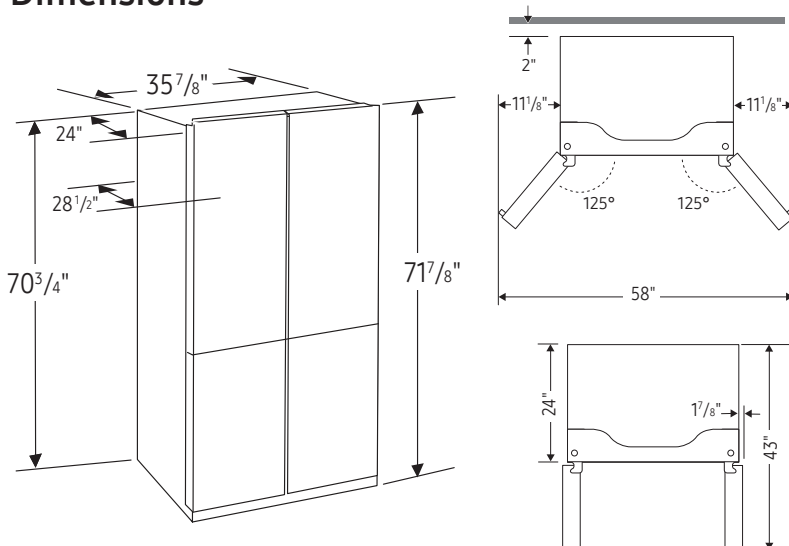
1. Measure the height, width and depth of the opening, making sure to include baseboards, molding tile, countertop overhang, etc. Check to be sure there is enough room to open the door (consider walls, islands or other obstacles when measuring).
2. Refer to illustration below to determine dimensions.
3. Allow 2.5" of clearance on hinge side of refrigerator when installing next to a wall where handle may make contact.
4. Allow 1" minimum clearance at rear for proper air circulation and water/electrical connections. Allow a 3/8" minimum clearance at sides and top for ease of installation.
5. Ensure each door and entryway in the home is wide enough for the refrigerator to be moved through easily.

For optimal usage and ability to open refrigerator doors completely, do not install next to a wall.

Please note: The following dimension and cutout information is for planning purposes only. For complete installation details, consult manual packed with product or download manual online at samsung.com.



Dimensions



Total Capacity: 22.5 cu. ft.

Refrigerator: 13.7 cu. ft.

- 4 Tempered Glass Spill-Proof Shelves
- 2 Clear Drawers: Flex Crisper and Crisper+
- 6 Door Bins
 - Right: 1 Gallon Bin, 2 Regular Bins
 - Left: 1 Gallon Bin, 2 Regular Bins
- LED Lighting

Freezer: 8.8 cu. ft.

- Dual Ice Maker in Freezer (Ice Bites or Cubed Ice)
 - 2 Ice Buckets with Cover and 1 Scoop
- 3 Slide-Out Shelves
- 6 Door Bins
- LED Lighting

Accessories

Water Filter: HAF-QIN

Warranty

One (1) Year Parts and Labor on Refrigerator
Five (5) Years Parts and Labor on Sealed Refrigeration System Only*
Ten (10) Years Parts and Five (5) Years Labor on Digital Inverter Compressor

*Compressor, evaporator, condenser, drier and connecting tubing.

Product Dimensions & Weight

Dimensions (WxHxD with hinges and doors):
35 7/8" x 71 7/8" x 28 1/2"

Dimensions (WxHxD without hinges and doors):
35 7/8" x 70 3/4" x 24"

Weight: 337.3 lbs

Shipping Dimensions & Weight (WxHxD)

Dimensions: 38 1/4" x 77 5/8" x 30 3/5"

Weight: 359.3 lbs

Color

Fingerprint Resistant
Stainless Steel

Model

RF23A9771SR

UPC Code

887276525792

Fingerprint Resistant
Black Stainless Steel

RF23A9771SG

887276524818