

# RF27CG5900SR

SAMSUNG

Large Capacity 3-Door French Door 25 cu. ft. Counter Depth Refrigerator with Family Hub™ and 4 types of ice



## Signature Features

### Family Hub™

Samsung's Family Hub™ refrigerator helps you connect to what's most important: your family and home. Family Hub™ lets you see inside your refrigerator, manage your family's calendars, stream music, see who's at the front door and much more, all right from your fridge.

### Large Counter Depth 25 cu. ft. Capacity

Store more groceries with more room to stay organized. Large 25 cu. ft. capacity fits big and bulky items and provides easy access to everything you need.

### Four Ice Types

Enjoy your favorite beverage with your choice of ice. Choose cubed ice or Ice Bites™ from the Dual Ice Maker in the freezer drawer, or opt for curved or crushed ice from the external dispenser.

## Available Color



Fingerprint Resistant  
Stainless Steel



Family Hub™



Large 25 cu. ft. Capacity

## Design

- Family Hub™
- Large Counter Depth Capacity of 25 cu. ft.
- Premium External Filtered Water and Ice Dispenser
- High-Efficiency LED Lighting
- Gallon Door Bin
- Fingerprint Resistant Finish

## Technology

- Wi-Fi Enabled
- Power Cool & Power Freeze
- Door Alarm
- Water Filter Indicator

## Performance

- Four Ice Types: Crushed, Curved, Cubed and Ice Bites™
- SmartThings Energy\*
- Metal Cooling

\*Available on Android and iOS devices. A Wi-Fi connection and a Samsung account are required.



## Rating



ENERGY STAR® rated:  
726 kWh/yr

# RF27CG5900SR

SAMSUNG

## Large Capacity 3-Door French Door 25 cu. ft. Counter Depth Refrigerator with Family Hub™ and 4 types of ice

### Installation Specifications

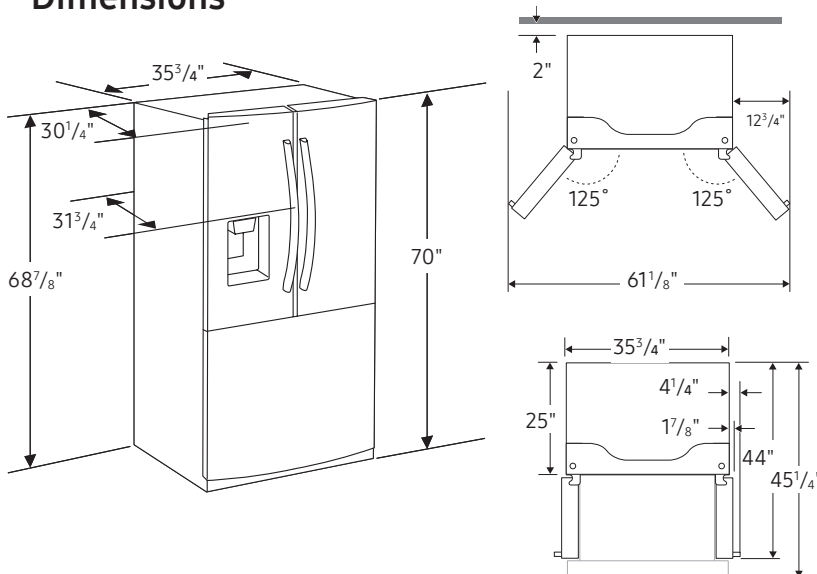
1. Measure the height, width and depth of the opening, making sure to include baseboards, molding tile, countertop overhang, etc. Check to be sure there is enough room to open the door (consider walls, islands or other obstacles when measuring).
2. Refer to illustration below to determine dimensions.
3. Allow 2.5" of clearance on hinge side of refrigerator when installing next to a wall where handle may make contact.
4. Allow 1" minimum clearance at rear for proper air circulation and water/electrical connections. Allow a 3/8" minimum clearance at sides and top for ease of installation.
5. Ensure each door and entryway in the home is wide enough for the refrigerator to be moved through easily.

For optimal usage and ability to open refrigerator doors completely, do not install next to a wall.

Please note: The following dimensions and cutout information is for planning purposes only. For complete installation details, consult manual packed with product or download manual online at [samsung.com](http://samsung.com).



### Dimensions



**Total Capacity: 25 cu. ft.**

**Refrigerator: 17.5 cu. ft.**

- External Filtered Water and Ice Dispenser
- 4 Tempered Glass Spill-Proof Shelves
- Full-Width Drawer
- 2 Clear Drawers
- 7 Door Bins
  - Right: 1 Gallon Bin, 3 Regular Bins
  - Left: 3 Regular Bins
- High-Efficiency LED Lighting

**Freezer: 7.5 cu. ft.**

- Dual Ice Maker in Freezer (Cubed Ice or Ice Bites™)
  - 2 Removable Ice Buckets and 1 Scoop
- 2 Large Opaque Bins with 1 Divider
- High-Efficiency LED Lighting

### Accessories

Water Filter: HAF-QIN

### Warranty

One (1) Year Parts and Labor on Refrigerator  
Five (5) Years Parts and Labor on Sealed Refrigeration System Only\*  
Ten (10) Years Parts and Five (5) Years Labor on Digital Inverter Compressor

\*Compressor, evaporator, condenser, drier and connecting tubing.

### Product Dimensions & Weight

Dimensions (WxHxD with hinges, handles and doors):  
 $35\frac{3}{4}$ " x 70" x  $31\frac{3}{4}$ "

Dimensions (WxHxD without hinges and door):  
 $35\frac{3}{4}$ " x  $68\frac{7}{8}$ " x 25"

Dimensions (WxHxD with hinge and door, no handle):  
 $35\frac{3}{4}$ " x 70" x  $30\frac{1}{4}$ "

Weight: 305 lbs

### Shipping Dimensions & Weight (WxHxD)

Dimensions:  $37\frac{3}{4}$ " x  $75\frac{7}{16}$ " x  $31\frac{9}{16}$ "

Weight: 315 lbs

**Color**

**Model #**

**UPC Code**

Fingerprint Resistant  
Stainless Steel

RF27CG5900SR 887276763880