

Induction Range, 36", 5 Zones with SmartZone, Self-cleaning

Series 9 | Professional

Stainless Steel with Black Glass

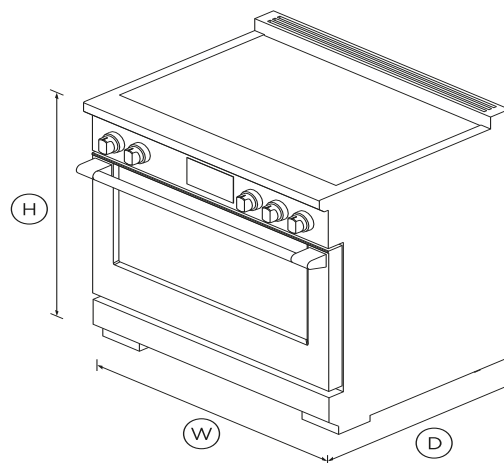


With intuitive touchscreen, induction cooktop and a convection oven with 15 functions, cooking on this refined range is a joy.

- Guided cooking using your touchscreen makes it simple to cook by food, function or recipe.
- Five induction cooking zones, which can be paired to form two large SmartZones
- 4.8 cu ft total oven capacity
- Beautiful LED halo-illuminated dials provide information at a glance

DIMENSIONS

Height	35 ³ / ₄ - 36 ³ / ₄ "
Width	35 ⁷ / ₈ "
Depth	29 ¹ / ₈ "



FEATURES & BENEFITS

Cook with confidence

Our touchscreen interface provides an intuitive guided cooking experience that helps deliver perfect results, whether you've been cooking all your life or just starting out. Cook with a favorite method, a hero ingredient, or a go-to cooking function or recipe. The screen tilts for improved ergonomics and optimal visibility while cooking.

SPECIFICATIONS

Accessories

Square handle option	AH-R36
----------------------	--------

Cleaning

Pyrolytic self-clean	•
----------------------	---

Controls

High resolution display	•
Metal illuminated dials	•
Sabbath mode	•
Wifi connectivity	•

Main oven features

Bake	•
Broil pan	•
Clean	•
Convection Bake	•
Convection Broil	•
Main oven- Self cleaning	•
Main oven- True convection	•
Number of main oven functions	15

Oven features

Electronic oven control	•
Internal light	•
Pyrolytic self-clean	•
True Convection	•

Oven functions

Pyrolytic self-clean •

Zone bridging •

Oven performance

Main Oven Shelf Positions **5**
 Main Oven Total Capacity **4.8cu ft**
 Main Oven Usable Capacity **3.8cu ft**
 Main oven- Bake **4600W**
 Main oven- Broil **4000W**
 Main oven- True convection **2500W**

Rangetop Performance

Centre zone rating **1850/2600W**
 Left front zone rating **2100W**
 Left rear zone rating **2100W**
 PowerBoost •
 PowerBoost all zones **up to 5500W**
 Right front zone rating **2100W**
 Right rear zone rating **2100W**

Power requirements

Electric circuit **4 wire**
 Rated current **30A**
 Supply frequency **60Hz**
 Supply voltage **120 - 240V**

Safety

Pan detection system •
 Safety time out •
 Surface hot indicators •

Product dimensions

Depth **29 1/8"**
 Depth (Excluding handles) **29 1/8"**
 Height **35 3/4" - 36 3/4"**
 Height (excluding vent trim) **35 3/4" - 36 3/4"**
 Width **35 7/8"**

Warranty

Parts and labor **Limited 2 Years Parts & Labor**

SKU **81892**

Rangetop features

Dual zones •
 Gentle heat **3 settings (111°F, 158°F, 201°F)**
 Heat settings **9**
 Induction cooking technology •
 PowerBoost all zones **up to 5500W**
 SmartZone •



A PEACE OF MIND SALE

24 Hours 7 Days a Week Customer Support

T 1300 650 590 W www.fisherpaykel.com