

RS28CB760012

SAMSUNG

Bespoke 28 cu. ft. Smart Side-by-Side Refrigerator with Beverage Center™



Signature Features

Bespoke Design

Create a stylish kitchen with your choice of finishes: White Glass or fingerprint resistant Stainless Steel. Crafted from quality materials to blend seamlessly with your space.

Beverage Center™

Convenient access to refreshingly cool, filtered water is always in reach. The Beverage Center™ includes a dispenser and AutoFill Water Pitcher—with the option to infuse with a flavor.

Dual Auto Ice Maker

Choose from cubed ice or Ice Bites™ that chill your drink faster.

Power Touch Sensor

The Power Touch Sensor allows you to open the doors effortlessly. Simply place your hand over the sensors and the door will softly nudge open automatically*.

*The door automatically opens about 25 mm. If you do not open the door further, it will close automatically after 2 seconds (automatic closing may not be possible in certain environments).

Available Colors



White Glass (shown)



Fingerprint Resistant
Stainless Steel



Bespoke Design



Beverage Center™

Design

- Bespoke Design
- Beverage Center™
- Slide-In Shelf
- Silver-Accent Shelving
- LED Lighting
- 3 Gallon Door Bins
- Adjustable Top Freezer Shelf

Technology

- Wi-Fi Enabled
- Power Touch Sensor
- Power Cool & Power Freeze
- Door Alarm
- Water Filter Indicator
- Sabbath Mode

Performance

- Dual Auto Ice Maker with Ice Bites™
- SmartThings Energy*
- All-Around Cooling

*Available on Android and iOS devices. A Wi-Fi connection and a Samsung account are required.

Rating



ENERGY STAR® rated:
655 kWh/yr



ADA Compliant

RS28CB760012

SAMSUNG

Bespoke 28 cu. ft. Smart Side-by-Side Refrigerator with Beverage Center™

Installation Specifications

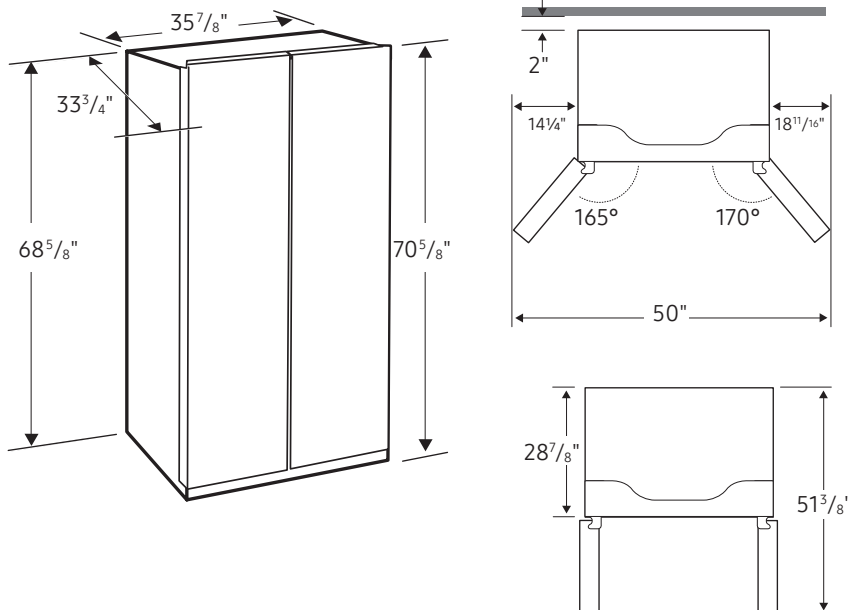
1. Measure the height, width and depth of the opening, making sure to include baseboards, molding tile, countertop overhang, etc. Check to be sure there is enough room to open the door (consider walls, islands or other obstacles when measuring).
2. Refer to illustration below to determine dimensions.
3. Allow 2.5" of clearance on hinge side of refrigerator when installing next to a wall where handle may make contact.
4. Allow 1" minimum clearance at rear for proper air circulation and water/electrical connections. Allow a 3/8" minimum clearance at sides and top for ease of installation.
5. Ensure each door and entryway in the home is wide enough for the refrigerator to be moved through easily.

For optimal usage and ability to open refrigerator doors completely, do not install next to a wall.

Please note: The following dimension and cutout information is for planning purposes only. For complete installation details, consult manual packed with product or download manual online at samsung.com.



Dimensions



Total Capacity: 28.0 cu. ft.

Refrigerator: 17.9 cu. ft.

- 4 Tempered Glass Shelves
- Slide-In Shelf
- 2 Drawers
- 5 Door Bins
 - 3 Gallon Bins
 - 2 Door Bins
- Top LED Lighting

Freezer: 10.1 cu. ft.

- Dual Ice Maker in Freezer (Cubed Ice AND Ice Bites)
- Adjustable Top Freezer Shelf
- 4 Tempered Glass Shelves
- 2 Drawers
- 5 Door Bins
- Top LED Lighting

Accessories

Water Filter: HAF-QIN

Warranty

Two (2) Years Parts and Labor on Refrigerator*
Five (5) Years Parts and Labor on Sealed Refrigeration System**
Ten (10) Years Parts and Five (5) Years Labor on Digital Inverter Compressor

*Effective for purchases made between 10/1/22 - 9/30/23; proof of purchase required.

**Compressor, evaporator, condenser, drier and connecting tubing.

Product Dimensions & Weight

Dimensions (WxHxD with hinges, recessed handles, and doors): 35⁷/₈" x 70⁵/₈" x 33³/₄"

Dimensions (WxHxD without hinges and door): 35⁷/₈" x 68⁵/₈" x 28⁷/₈"

Weight: 263 lbs

Shipping Dimensions & Weight (WxHxD)

Dimensions: 37³/₄" x 75³/₈" x 30¹/₈"

Weight: 271 lbs

Color	Model #	UPC Code
White Glass	RS28CB760012	887276715902
Fingerprint Resistant Stainless Steel	RS28CB7600QL	887276715919