

Integrated Column Refrigerator, 30", Water

Series 11 | Integrated

Panel Ready | Left hinge

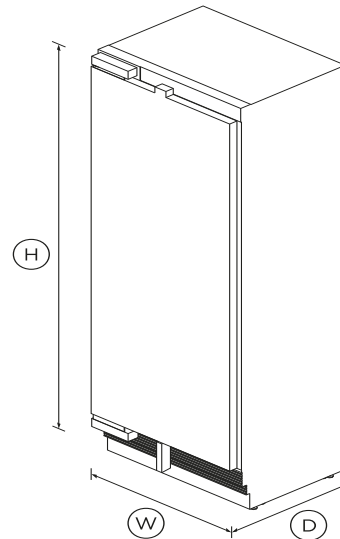


Install it separately or pair with another Column for seamless integration – this model is left hinge with stainless steel interior.

- ActiveSmart™ technology helps keep food fresher for longer by constantly maintaining the ideal temperature
- Two separate Variable Temperature Zones. Choose from Fridge, Pantry or Chill
- Internal water dispenser for convenient access to fresh, chilled water
- Customize with your own kitchen cabinetry or purchase our stainless steel door panel accessory

DIMENSIONS

Height	84"
Width	29 3/4"
Depth	24"



FEATURES & BENEFITS

Variable temperature zones

Create the perfect climate by storing food at their optimal temperature. Change a compartment to Fridge, Pantry or Chill.

Internal water dispenser

This integrated model features a slimline water dispenser, located on the inside for an uninterrupted exterior. The flush-fit design of the water dispenser maximizes internal storage space, allowing the shelves to be adjusted to suit your needs. Enjoy a

continuous flow of temperature-controlled chilled water to fill almost any size or shape of vessel.

Mix & match

Integrated Column Refrigeration gives you the freedom to mix and match refrigerators and freezers based on your needs – or install separately. They can be customized with your kitchen cabinetry for a seamless look, or finished with one of our stainless steel door panels.

Clever energy

ActiveSmart™ makes your refrigerator more energy efficient – adapting to daily use and cooling and defrosting only when needed. This means it uses the energy it needs without compromising on food care.

Appealing illumination

Bright LEDs light up the ceiling, shelves, bins and trays in both refrigerator and freezer, creating a welcoming glow in your kitchen at night and using less power than comparable halogen lights.

Design quality

<>

Perfect fit

<>

SPECIFICATIONS

Accessories

30" Stainless steel toe kick	AKRS3004
48" Stainless steel toe kick	AKRS4804
54" Stainless steel toe kick	AKRS5404
60" Stainless steel toe kick	AKRS6004
66" Stainless steel toe kick	AKRS6604
72" Stainless steel toe kick	AKRS7204
78" Stainless steel toe kick	AKRS7804

84" Stainless steel toe kick	AKRS8404
Contemporary round handle	AHS-RD84
Contemporary square handle	AHD3-RD84
Hinge change (from left hinge	848190
Hinge change (from right hinge	848189
Joiner kit	AJ-RS84LR
Matching Replacement Water	FWC3
Professional round flush handle	AHP3RDSF
Professional round handle kit	AHC-RD84
Professional square handle kit	AHV2-RD84
Square fine aluminium handle	AHD5RDSF
Square fine black handle kit	AHD5RDSFB
Stainless steel door panel	30" Left hinge RD3084L4D

Capacity

Volume	16.3cu ft
Volume refrigerator	16.3cu ft

Consumption

Energy rating	Energy star
---------------	--------------------

Features

Adjustable glass cantilevered	•
Adjustable glass shelves	2
Covered door shelves	1
Door alarm	•
Gallon door shelves	1
Internal water dispenser	•
LED bin lighting	•
LED ceiling lighting	•

LED side lighting	•
SmartTouch interface at	•
Soft-close fruit and vegetable	•
Stackable bottle holders	4

Performance

ActiveSmart™ technology	•
Dual evaporator	•
Humidity control system	•
Inverter controlled compressor	•
Sabbath mode	•
Variable temperature zones	2

Power requirements

Rated current	10A
Supply frequency	60Hz
Supply voltage	115V

Product dimensions

Depth	24"
Height	84"
Width	29 3/4"

Warranty

Parts and labor	2 years
Sealed system parts and labor	additional 3 years

SKU	26168
-----	--------------

The product dimensions and specifications in this page apply to the specific product and model. Under our policy of continuous improvement, these dimensions and specifications may change at any time. You should therefore check with Fisher & Paykel's Customer Care Centre to ensure this page correctly describes the model currently available. ? Fisher & Paykel Appliances Ltd 2020

Other product downloads available at fisherpaykel.com

- [↓](#) User Guide
- [↓](#) Energy Label
- [↓](#) Installation Guide
- [↓](#) Installation Guide
- [↓](#) Install Guide - Water Filter Replacement
- [↓](#) Specification Guide Integrated Column Refrigerator
- [↓](#) Data Sheet Integrated Column Refrigerator
- [↓](#) Data Sheet Integrated Column Refrigerator Dual Install (18" + 30")
- [↓](#) Data Sheet Integrated Column Refrigerator Dual Install (24" + 30")
- [↓](#) Data Sheet Integrated Column Refrigerator Dual Install (30" + 30")
- [↓](#) Planning Guide Integrated Columns
- [↓](#) Key Purchase Decisions Integrated Columns



A PEACE OF MIND SALE

24 Hours 7 Days a Week Customer Support

T 1.888.936.7872 **W**www.fisherpaykel.com